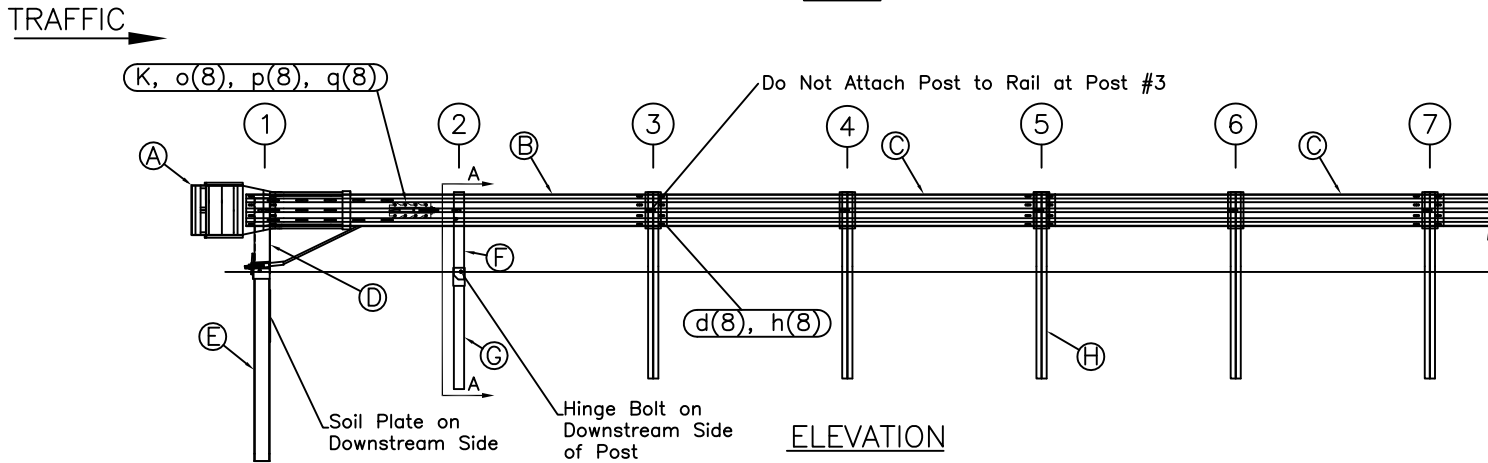
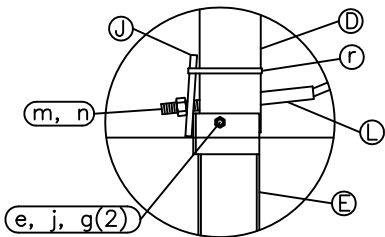


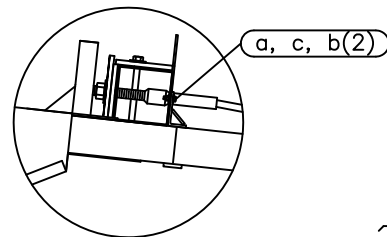
PLAN



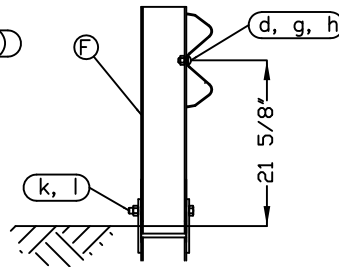
ELEVATION



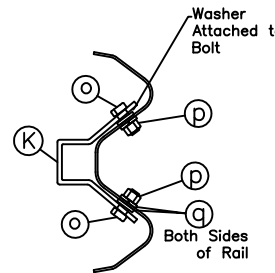
Post #1 Connection Detail



Impact Head Connection Detail



SECTION A-A  
Post #2



SECTION C-C  
Anchor Bracket

ITEM	QTY	BILL OF MATERIALS	ITEM NO.
A	1	FLEAT IMPACT HEAD	F3000
B	1	FLEAT ANCHOR RAIL 12"-6"	SF1303
C	2	W-BEAM GUARDRAIL 12"-6"	G1203
D	1	FIRST POST TOP (6x6x $\frac{1}{4}$ " Tube)	TPHP1A
E	1	FIRST POST BOTTOM (6" W6X15)	TPHP1B
F	1	UNIVERSAL HINGE POST #2 UPPER	UHP2A
G	1	HINGED POST LOWER	HP-B
H	5	STEEL LINE POST (6" W6x9)	P621
J	1	BEARING PLATE	E750
K	1	CABLE ANCHOR BOX	S760
L	1	BCT CABLE ANCHOR ASSEMBLY	E770
M	5	RECYCLED PLASTIC BLOCK OR EQUIV.	CBSP-14

HARDWARE (ALL DIMENSIONS IN INCHES)

a	2	5/16 x 1 HEX BOLT GRD 5	B5160104A
b	4	5/16 WASHER	W0516
c	2	5/16 HEX NUT	N0516
d	17	5/8 x 1 1/4 SPLICE BOLT	B580122
e	1	5/8 x 9 HEX BOLT GRD 5	B580904A
f	5	5/8 x 10 H.G.R. BOLT	B581002
g	3	5/8 WASHER	W050
h	22	5/8 H.G.R. NUT	N050
j	1	5/8 NUT	N055
k	1	3/4 x 8 1/2 HEX BOLT GRD A449	B340854A
l	1	3/4 HEX NUT	N030
m	2	1" ANCHOR CABLE HEX NUT	N100
n	2	1" ANCHOR CABLE WASHER	W100
o	8	1/2 RSI SHOULDER BOLT W/WASHER	SB12A
p	8	1/2 STRUCTURAL NUT	N012A
q	8	1/2 STRUCTURAL WASHER	W012A
r	1	BEARING PLATE RETAINER TIE	CT-100ST

GENERAL NOTES:

- All bolts, nuts, cable assemblies, cable anchors and bearing plates shall be galvanized.
- The lower sections of the Posts 1&2 shall not protrude more than 4 in above the ground (measured along a 5' cord). Site grading may be necessary to meet this requirement.
- The lower sections of the hinged posts should not be driven with the upper post attached. If the post is placed in a drilled hole, the backfill material must be satisfactorily compacted to prevent settlement.
- When competent rock is encountered, a 12" Ø post hole, 20 in. deep cored into the rock surface may be used if approved by the engineer for post 1. Granular material will be placed in the bottom of the hole, approximately 2.5" deep to provide drainage. The first post can be field cut to length, placed in the hole and backfilled with suitable backfill. The soil plate may be trimmed if required.
- The breakaway cable assembly must be taut. A locking device (vice grips or channel lock pliers) should be used to prevent the cable from twisting when tightening nuts.



FLEAT-SP Terminal  
TL-3 Standard Post System

2 Post System

Drawing Name:  
FLT-SP-37

Scale:  
None

Sheet:  
1  
Date:  
01/06/13  
By:  
JRR  
Rev:  
0