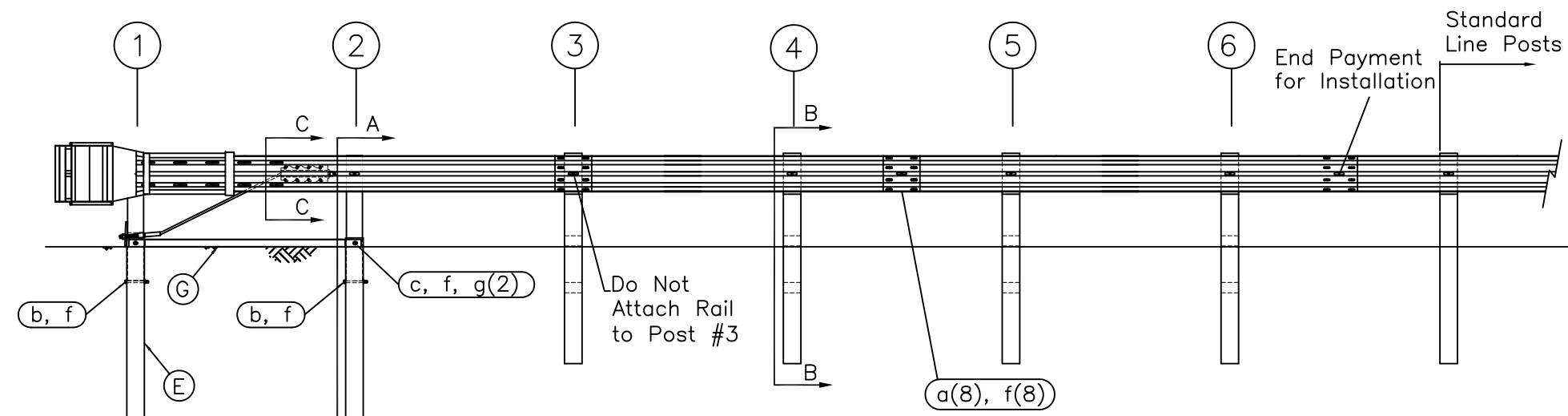
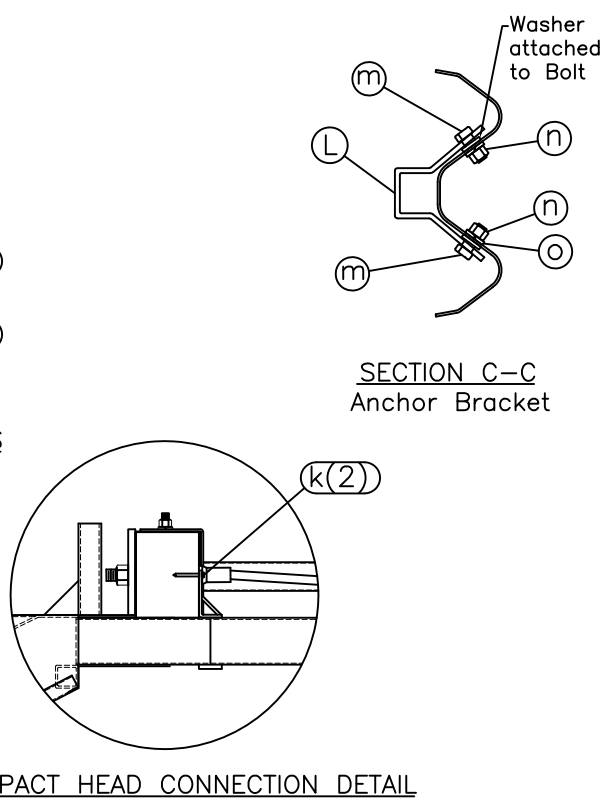
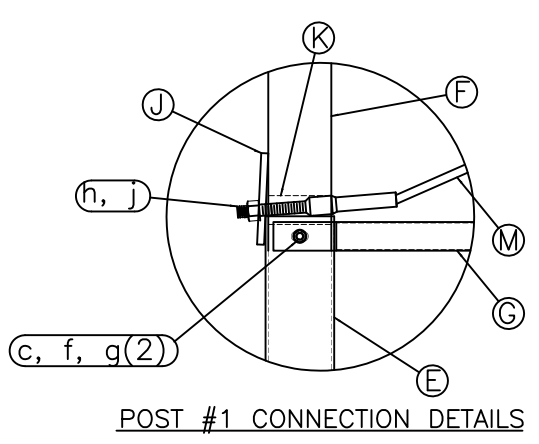
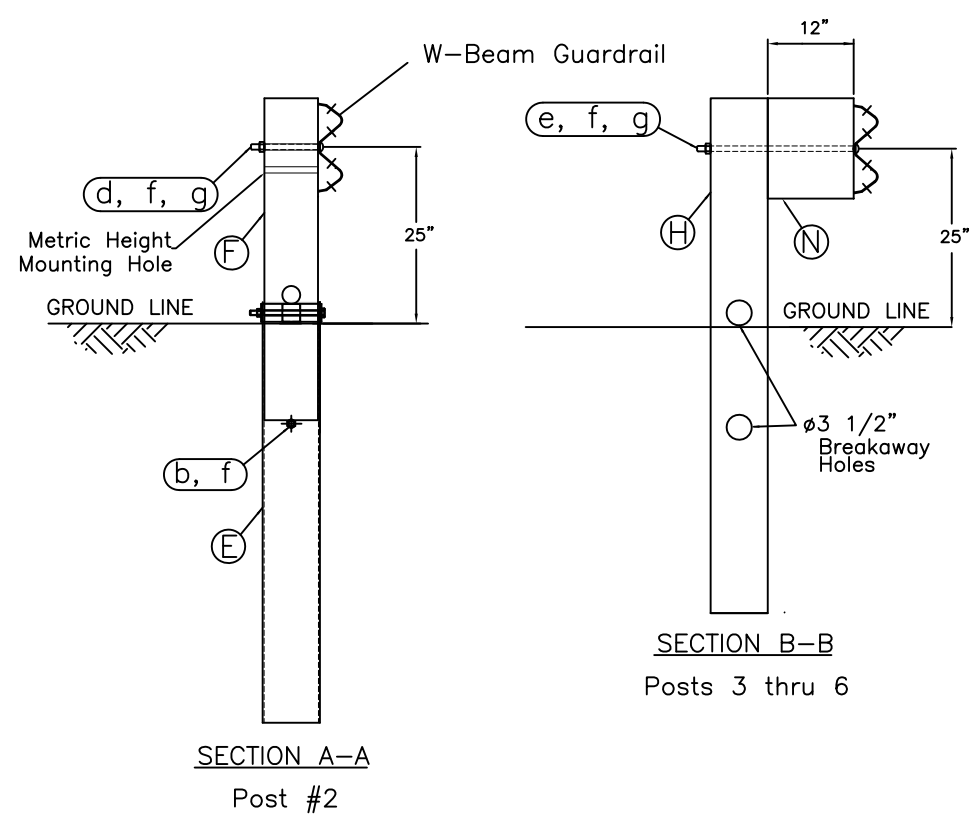


TRAFFIC →

PLAN



ELEVATION



ITEM	QTY	BILL OF MATERIALS	ITEM NO.
A	1	IMPACT HEAD	F3000
B	1	W-BEAM END SECTION, 12 Ga.	SF1303
C	1	W-BEAM MGS 9'-4 1/2", 12 Ga.*	G12025
D	1	W-BEAM GUARDRAIL, 12 Ga.	G1203A
E	2	FOUNDATION TUBE 6'-0"***	S730
F	2	UNIVERSAL BCT WOOD POST	UP650
G	1	GROUND STRUT	E780
H	4	UNIVERSAL CRT WOOD POST	UP671
J	1	BEARING PLATE	E750
K	1	PIPE SLEEVE	E740
L	1	CABLE ANCHOR BOX	S760
M	1	BCT CABLE ANCHOR ASSEMBLY	E770
N	4	MGS TIMBER BLOCKOUT OR RECYC. EQUIV.	P677
HARDWARE (ALL DIMENSIONS IN INCHES)			
a	16	5/8ø x 1 1/4 SPLICE BOLT	B580122
b	2	5/8ø x 7 1/2 HEX BOLT	B580754
c	2	5/8ø x 9 1/2 HEX BOLT	B580954
d	1	5/8ø x 10 H.G.R. BOLT	B581002
e	4	5/8ø x 22 H.G.R. BOLT	B582202
f	25	5/8ø H.G.R. NUT	N050
g	9	H.G.R. WASHER	W050
h	2	1 ANCHOR CABLE HEX NUT	N100
j	2	1 ANCHOR CABLE WASHER	W100
k	2	3/8 x 3 LAG SCREW	E350
m	8	1/2 RSI SHOULDER BOLT W/WASHER	SB12A
n	8	1/2 STRUCTURAL NUT	N012A
o	8	1/2 STRUCTURAL WASHER	W012A

**PARTS NOTES:**  
 \* A 15'-7 1/2" Panel (Part G1507) may be utilized in place of the 9'-4 1/2" Panel.  
 \*\* 4'-6" Foundation Tubes (S735) w/Soil Plate (SP600) may be utilized in place of 6'-0" Foundation Tubes at Posts #1 & #2.

- GENERAL NOTES:**
1. Breakaway posts are required with the FLEAT.
  2. All bolts, nuts, cable assemblies, cable anchors and bearing plates shall be galvanized.
  3. The foundation tubes shall not protrude more than 4 in above the ground (measured along a 5' cord). Site grading may be necessary to meet this requirement.
  4. When rock is encountered, a 12" Ø post hole, 20 in into the rock surface may be used if approved by the engineer. Granular material will be placed in the bottom of the hole, approximately 2.5" deep to provide drainage. The soil tubes can be field cut to length, placed in the hole and backfilled with adequately compacted material excavated from the hole.
  5. The breakaway cable assembly must be taut. A locking device (vice grips or channel lock pliers) should be used to prevent the cable from twisting when tightening nuts.
  6. The soil tubes may be driven with an approved driving head. They shall not be driven with the post in the tube.
  7. The wood blockouts should be "toe-nailed" to the rectangular wood posts to prevent them from turning when the wood shrinks. The bearing plate should be "toe-nailed" to post #1 to prevent rotation.

 Big Spring, TX Phone: 432-263-2435 or Phone: 330-346-0721	<b>FLEAT Terminal          Midwest Guardrail System          Universal Wood Posts</b>	Sheet: <b>1</b>
	Drawing Name: <b>FLT-W-MGS</b>	Scale: <b>NONE</b>
		By: <b>JRR</b>