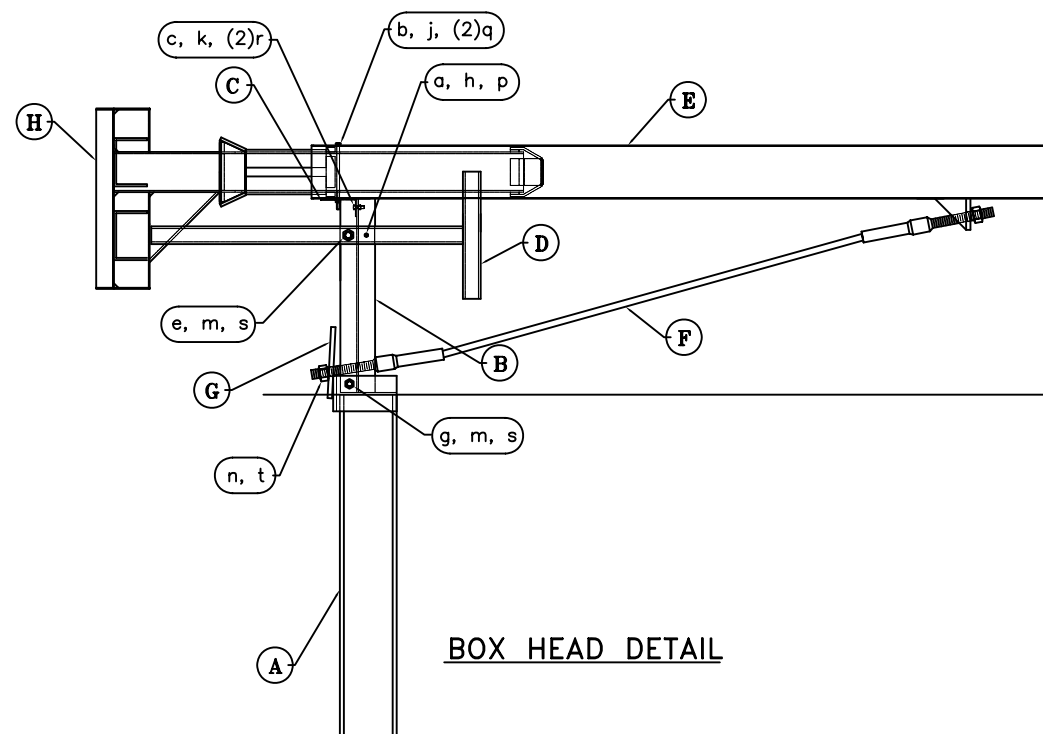
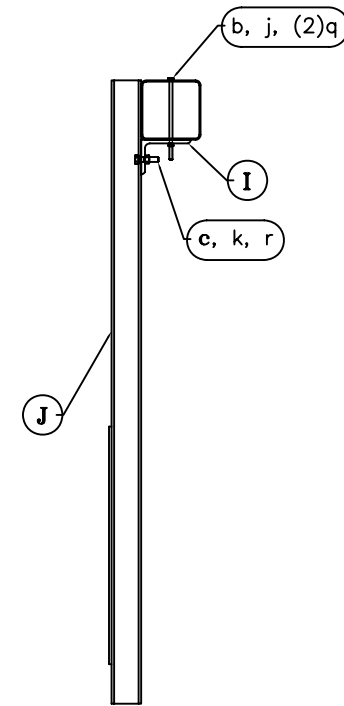


END SPLICE CHANNEL DETAIL

ITEM K SPLICE CHANNELS WILL SET ON THE TOP AND BOTTOM OF SECOND RAIL. THE BENT PLATES WELDED TO THE END OF ITEM E END TUBE RAIL WILL SET ON TOP OF ITEM K SPLICE CHANNELS



BOX HEAD DETAIL



SECTION "A-A"

ITEM	QTY	DESCRIPTION
A	1	LOWER FIRST POST W6x15 x 8'-0" LG.
B	1	UPPER FIRST POST W6x9 1'-9 1/2" LG.
C	1	SUPPORT BRACKET 10 GAGE BENT PLATE
D	1	POST BREAKER
E	1	END TUBE RAIL TS6x6x1/8 x 12'-0" LG.
F	1	CABLE ASSEMBLY
G	1	BEARING PLATE
H	1	BOX BEAM HEAD
I	1	RAIL SUPPORT BRACKET L5x3 1/2x3/8 x 4 1/2" LG.
J	1	WEAK BOX BEAM POST w/ SOIL PLATE
K	2	END TUBE SPLICE CHANNEL-DETAIL BELOW
HARDWARE		
a	1	1/4 x 3" LG. GRADE 2 BOLT
b	2	5/16 x 7 1/2" LG. GRADE 5 BOLT
c	2	1/2 x 2" LG. GRADE 2 BOLT
d	4	5/8 x 2" LG. GRADE 5 BOLT
e	1	5/8 x 3" LG. GRADE 5 BOLT
f	4	5/8 x 6" LG. GRADE 5 BOLT
g	1	5/8 x 8" LG. GRADE 5 BOLT
h	1	1/4" HEX NUT
j	2	5/16" HEX NUT
k	2	1/2" HEX NUT
m	14	5/8" HEX NUT
n	2	1" ANCHOR CABLE HEX NUT
p	1	1/4" WASHER
q	4	5/16" WASHER
r	3	1/2" WASHER
s	18	5/8" WASHER
t	2	1" ANCHOR CABLE WASHER



BEAT Box-Beam Bursting Energy Absorbing Terminal Assembly Drawing Layout & Details

Drawing Name: BEAT-RS-US.dwg Scale: NONE By: ACM Date: 10/5/2006

Sheet: A1